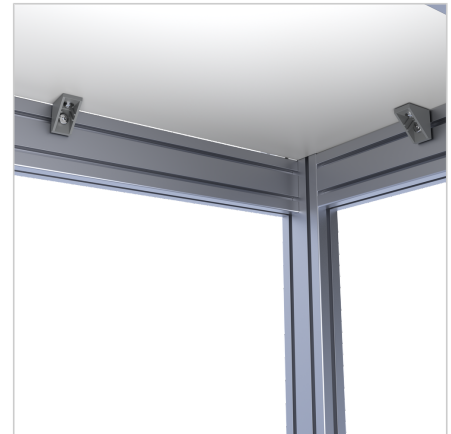
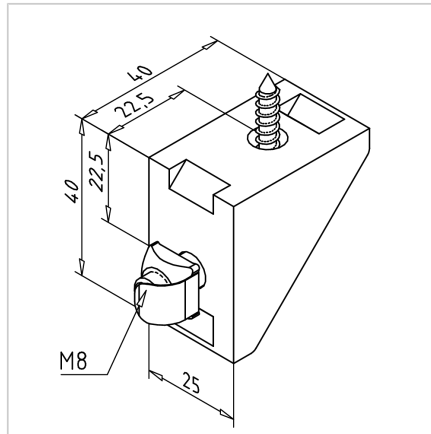
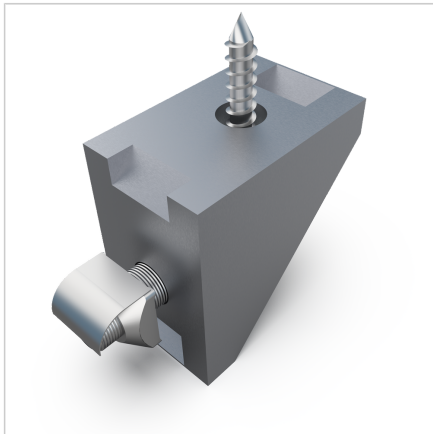


MOUNTING BRACKET FOR TABLE TOPS CONDUCTIVE INCL. FIXATION MATERIAL

Code: 320401/6

Conductive mounting bracket for tabletops with fixing hardware ensures stable attachment and a safe, organized workstation.

[Link to the product →](#)



Technical data/items supplied

- Aluminium, blasted
- For table tops from 16 mm thickness
- Fastening kit
- Weight = 0.058 kg/piece

Applications

- Fixing table tops from 16 mm thickness on the profile frame

Assembly

- Install to the profile groove with supplied hardware
- Screw in chipboard screws with washer in table top, if necessary pre-drill