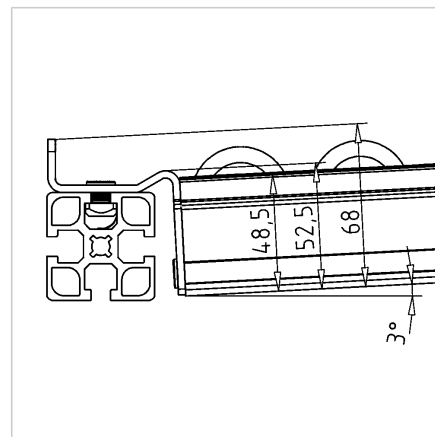
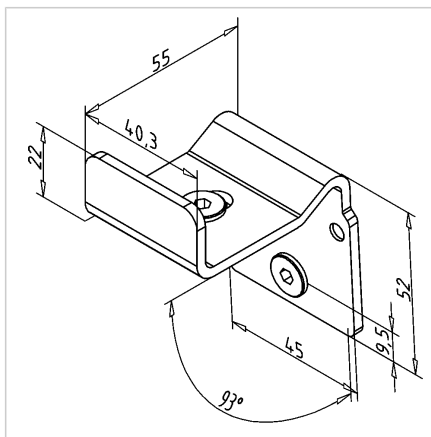


## MOUNTING BRACKET WITH STOP 45 FRS-3°

Code: 320663/0

[Link to the product →](#)



### Technical data/items supplied

- Stainless steel
- Weight = 0.126 kg/piece

### Applications

- For making roller strips with 3° gradient, at the same time serves as an end stop for the conveyed material
- For attaching to profile 45 FRS **article no.** [201152/0](#)

### Assembly

- Insert and screw on the thread M8 into the central hole in the end face of the profile, then position the complete roller strip on the crossbeam and fasten