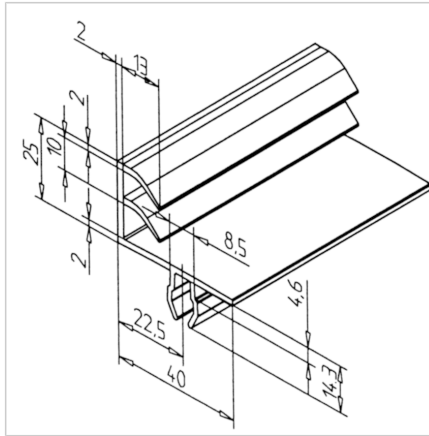


NOISE REDUCTION SUPPORT PROFILE, BLACK

Code: 221130/0

[Link to the product →](#)



Technical data/items supplied

- PP, black
- Max. length: 2000mm
- Little assembly time
- With 2 injection-moulded sealing lips
- Subsequent assembly possible
- Weight = 0.232 kg/m

Applications

- Sealing of removable walls and door hinges

Assembly

- Tool-free mounting of bar, no need for screwing
- Mitre cut not required
- Easy to machine, easy to replace