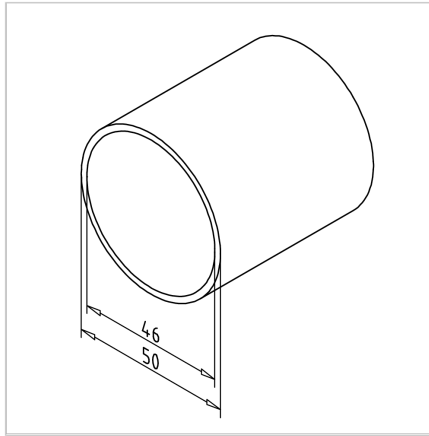
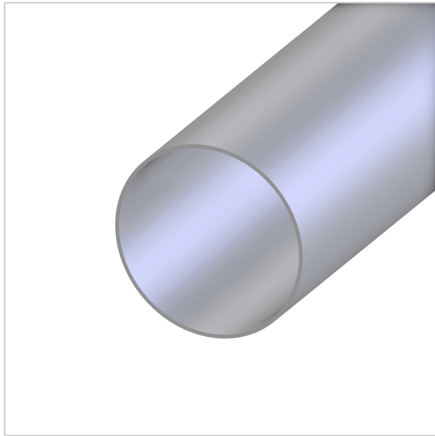


PIPE AL 50X2

Code: 201041/1

[Link to the product →](#)



Technical data/items supplied

- Aluminium, anodized E6/EV1
- **Please indicate needed tube length**
- Weight = 0.830 kg/m

Applications

- Production of conveyor rollers in any length for roller tracks with or without drive