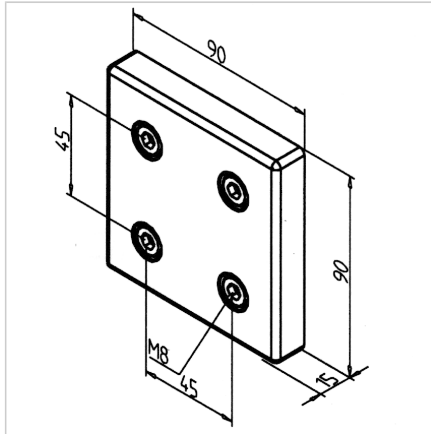
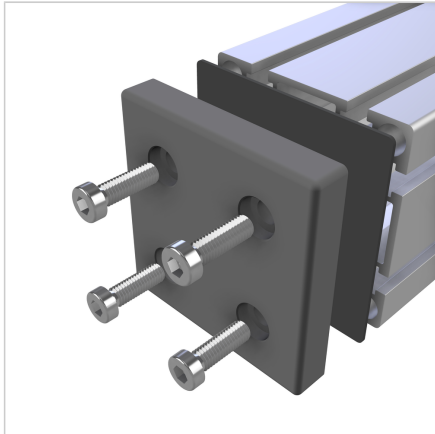


## PNEUMATIC END PLATE 90X90

Code: 241106/7

Pneumatic end plate 90 x 90 mm, designed for sealing and protecting pneumatic components within assemblies.

[Link to the product →](#)



### Technical data/items supplied

- Aluminium, Pressure die-casting, powder-coated, grey
- With sealing plate of NBR, black
- Fastening kit
- Weight = 0.430 kg/piece

### Applications

- Closing of chambers of profiles 90 x 90 for connection of pneumatic couplings

### Assembly

- Insert sealing plate
- Screw in with fastening material from items supplied