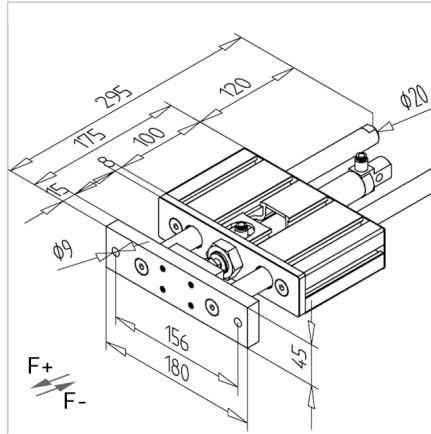
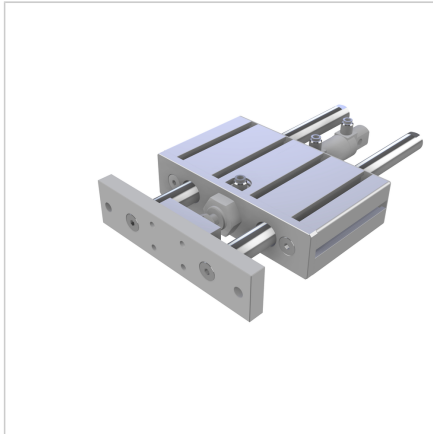


PNEUMATIC LIFTING UNIT STROKE 100 MM

Code: 241210/0

Pneumatic lifting unit size 100, designed for precise and reliable lifting in industrial applications.

[Link to the product →](#)



Technical data/items supplied

- Incorporated into profile 45 x 180
- Overall cylinder size ϕ 25 mm
- Guide shafts ϕ 20 mm
- Fully assembled with double acting pneumatic cylinder
- F+ at 6 bar = 265 N
- F- at 6 bar = 220 N
- Stroke = 100 mm
- Weight = 3.507 kg/piece

Applications

- Lifting and lowering of loads
- Attachment for grips or similar
- Positioning of parts

Assembly

- With mounting angle bracket on profile construction
- Other stroke lengths on request