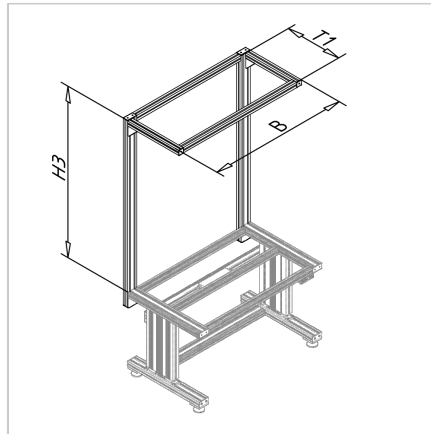


PORTAL CONSTRUCTION VARIABLE

Code: 320174/0

Modular portal construction for workbenches enables organized and efficient tool and accessory management at the workstation.

[Link to the product →](#)



Technical data/items supplied

- Aluminium, anodized E6/EV1
- Gantry structure for mounting on electrically or hydraulically height-adjustable tables
- Consisting of profile 45x90F and 45x45F

Applications

- Used to attach the accessories from our workplace area - such as tool holder plates, monitor carriers or system workstation lights

Assembly

- Is attached to the worktable with 2 x mounting brackets 90 GD-Z