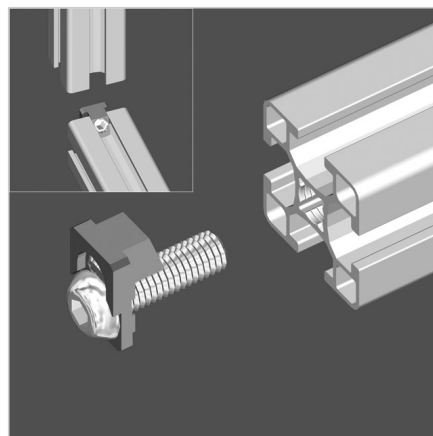
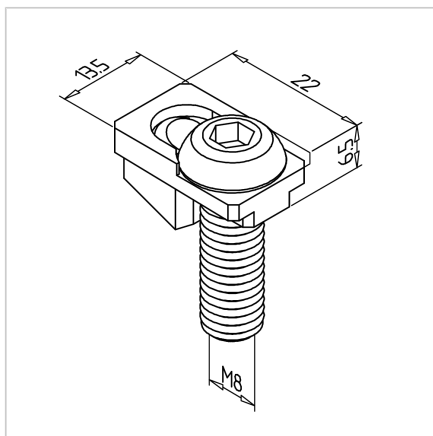
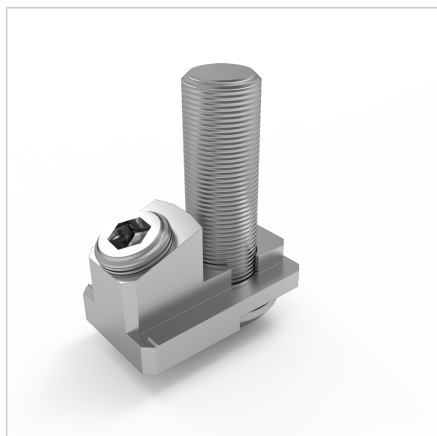


POWER-LOCK FASTENER 30 SF

Code: 210042/0

Power-lock stainless steel fastener 30-H for quick and strong aluminium profile connections without machining. Secure grip and simple installation.

[Link to the product →](#)



Technical data/items supplied

- Stainless steel
- With button head screw, stainless steel, SW 5
- Weight = 0.021 kg/piece

Applications

- For force-locked connection
- Also suitable for cross joints

Assembly

- Use Allen key SW 5 to screw connector into end face of profile
- Tighten the set screw M8 with the wrench SW 4
- Recommended locking torque: 12 Nm