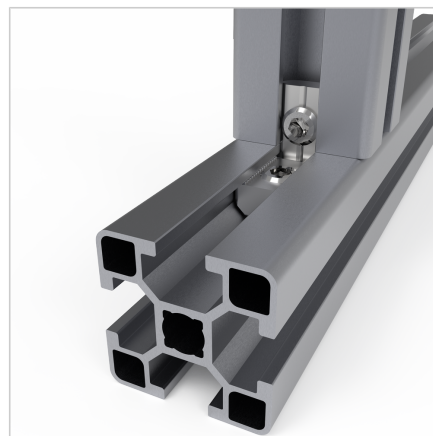
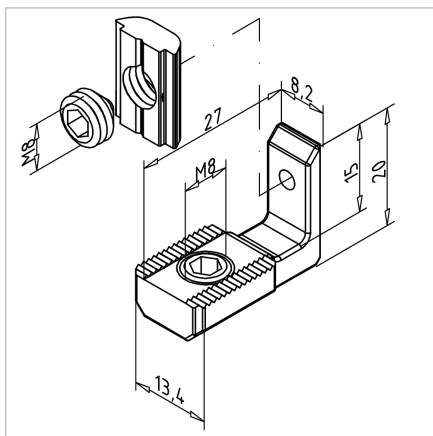
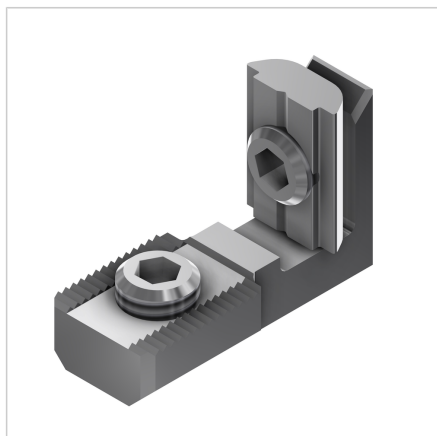


## POWER LOCK FASTENER N30

Code: 210033/0

Power-lock fastener N 30 for quick and strong aluminium profile connections without machining. Secure grip and simple installation.

[Link to the product →](#)



### Technical data/items supplied

- Steel, galvanized
- Connection element with pre-assembled threaded pin M8
- 1 Slide nut M8 with pre-assembled setscrew
- Weight = 0.023 kg/piece

### Applications

- For force-locked connection
- Especially for post-mounting of additional profiles in existing constructions

### Assembly

- Position the profile with the connector
- Swing in and tighten sliding nut with threaded pin
- Tighten set screw of fastener
- Tighten both threaded pins with SW 4 and with 10 Nm torque