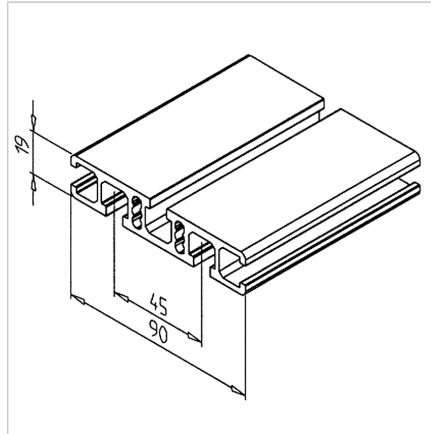


## PROFILE 19X90

Code: 200995/0

Alu profile 19 x 90 for industrial use. Explore our aluminium profile system - strong, modular, and easy to assemble.

[Link to the product →](#)



### Technical data/items supplied

- Aluminium, extruded, anodized E6/EV1
- $I_x = 3.436 \text{ cm}^4$
- $I_y = 45.455 \text{ cm}^4$
- $w_x = 3.493 \text{ cm}^3$
- $w_y = 10.101 \text{ cm}^3$
- $IT = 2.274 \text{ cm}^4$
- Weight = 1.919 kg/m
- Bar length = 6 m
- Packing unit = 48 m

### Applications

- Base plates, tensioning plates
- Contact areas
- Slide plates for linear slides
- Floor fastening plates
- Showcases

### Assembly

- Bolt connector
- Angles
- Insert 2 thread M6 in the middle of the profile to fit the aluminium end cap