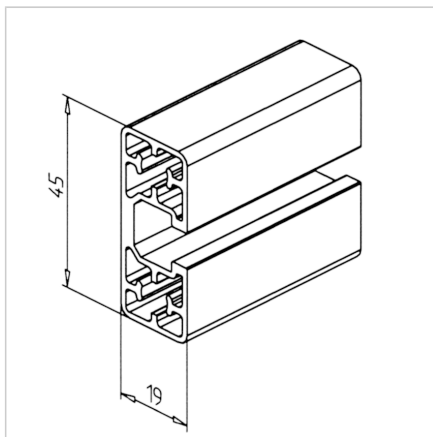


PROFILE 45X19

Code: 200993/0

Alu profile 45 x 19 for industrial use. Explore our aluminium profile system - strong, modular, and easy to assemble.

[Link to the product →](#)



Technical data/items supplied

- Aluminium, extruded, anodized E6/EV1
- $I_x = 6.106 \text{ cm}^4$
- $I_y = 1.384 \text{ cm}^4$
- $w_x = 2.71 \text{ cm}^3$
- $w_y = 1.45 \text{ cm}^3$
- $IT = 7.490 \text{ cm}^4$
- Weight = 0.814 kg/m
- Bar length = 6 m
- Packing unit = 72 m

Applications

- Weight-optimized constructions
- Light constructions
- Light sliding windows
- Support plates
- Base plates

Assembly

- Side 19 with power-lock fastener, **part no. 210818/0**
- 45th page with angle mounting bracket, profile connector N or connector