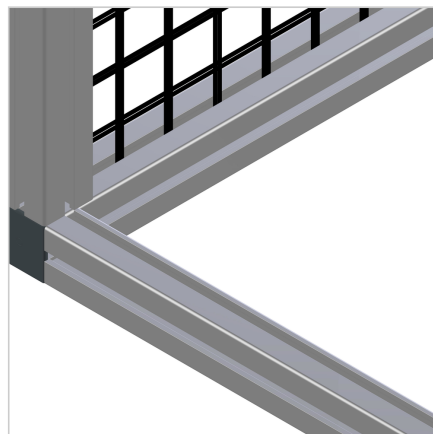
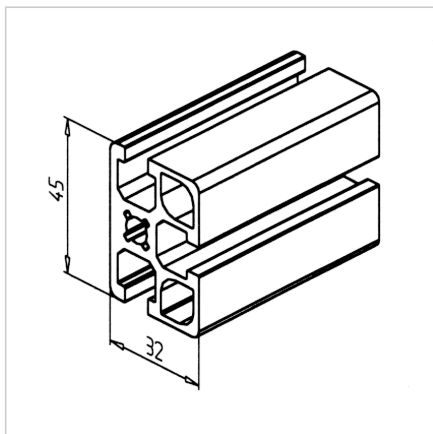
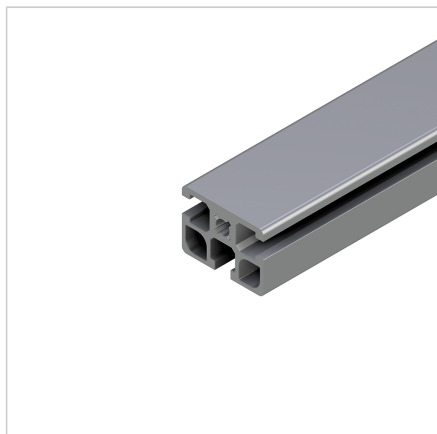


PROFILE 45X32 F

Code: 201055/0

Alu profile 45 x 32 F for industrial use. Explore our aluminium profile system - strong, modular, and easy to assemble.

[Link to the product →](#)



Technical data/items supplied

- Aluminium, extruded, anodized E6/EV1
- $I_x = 10.189 \text{ cm}^4$
- $I_y = 6.499 \text{ cm}^4$
- $w_x = 4.528 \text{ cm}^3$
- $w_y = 3.762 \text{ cm}^3$
- $IT = 2.494 \text{ cm}^4$
- Weight = 1.588 kg/m
- Bar length = 6 m
- Packing unit = 48 m

Applications

- All types of constructions, with a closed profile side
- Tables
- Frames
- Sliding doors
- Rails

Assembly

- MiniTec power-lock fastener
- Angle 19 / 25 / 45 / 45 x 90 GD-Z
- Bolt connector
- Screw connection