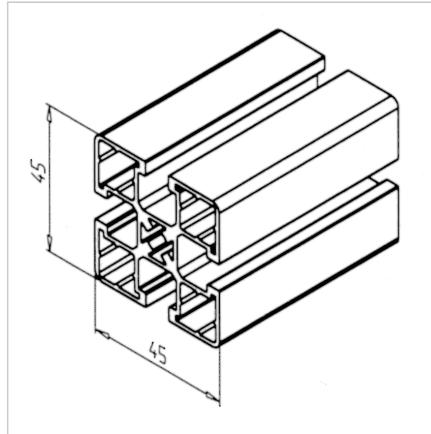


## PROFILE 45X45 UL

Code: 201063/0

Alu profile 45 x 45 UL for industrial use. Explore our aluminium profile system - strong, modular, and easy to assemble.

[Link to the product →](#)



### Technical data/items supplied

- Aluminium, extruded, anodized E6/EV1
- $I_x = 9.953 \text{ cm}^4$
- $I_y = 9.953 \text{ cm}^4$
- $w_x = 4.423 \text{ cm}^3$
- $w_y = 4.423 \text{ cm}^3$
- $IT = 12.256 \text{ cm}^4$
- Weight = 1.445 kg/m
- Bar length = 6 m
- Packing unit = 54 m

### Applications

- Weight-optimized constructions
- All kinds of constructions

### Assembly

- MiniTec power-lock fastener
- Angle 19 / 25 / 45 / 45 x 90 GD-Z
- Bolt connector
- Screw connection