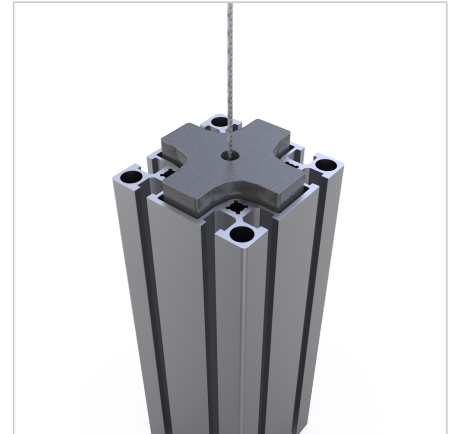
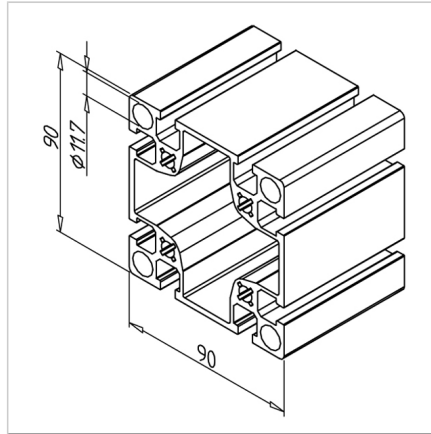


PROFILE 90X90 L

Code: 201010/0

Alu profile 90 x 90 L for industrial use. Explore our aluminium profile system – strong, modular, and easy to assemble.

[Link to the product →](#)



Technical data/items supplied

- Aluminium, extruded, anodized E6/EV1
- $I_x = 186,26 \text{ cm}^4$
- $I_y = 186,26 \text{ cm}^4$
- $w_x = 41,391 \text{ cm}^3$
- $w_y = 41,391 \text{ cm}^3$
- $IT = 378,232 \text{ cm}^4$
- Weight = 5.222 kg/m
- Bar length = 6 m
- Packing unit = 12 m

Applications

- Weight optimized constructions
- Guide in the central hollow chamber for internal balancing weight for lifting doors

Assembly

- MiniTec power-lock fastener
- Mounting bracket 45 or 90
- Screw connection
- Bolt connector