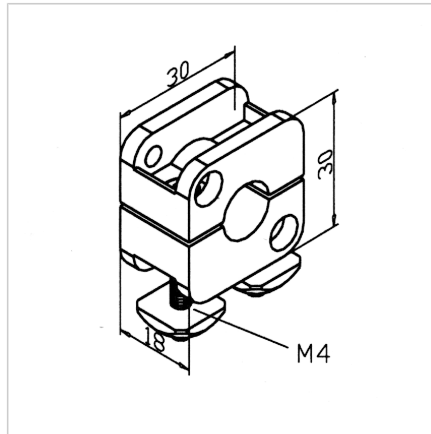


PROXIMITY SWITCH HOLDER 12

Code: 280120/0

Proximity switch holder for fixing \varnothing 12 mm switches in profile constructions and linear axes, ensuring stable and precise mounting.

[Link to the product →](#)



Technical data/items supplied

- Plastic, black
- With fastening material steel, zinc plated
- \varnothing 12 mm
- Weight = 0.036 kg/piece

Applications

- Fixing of proximity switches \varnothing 12 mm in profile constructions and linear axes

Assembly

- Fasten to profile groove with supplied hardware