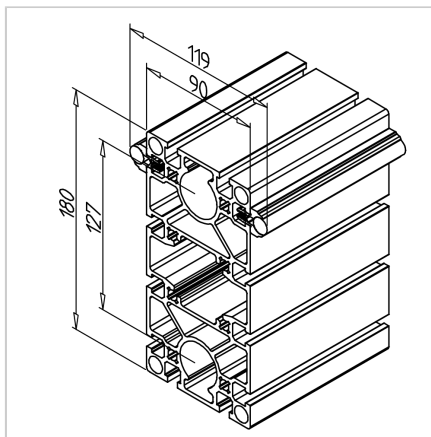


## RAIL 180 H STAINLESS L=

Code: 280011/4

Stainless rails 180 H for precise and durable linear motion in linear systems.

[Link to the product →](#)



### Technical data/items supplied

- Aluminium, anodized E6/EV1
- Profile 90 X 180 S
- On both sides with shaft supporting profile and shafts Ø 12 h6, pre-finished installed
- Without end caps
- Weight = 14,516 kg/m
- Bar length = 6 m

### Applications

- Linear and column guides for high load
- Belt return in profile
- **Special versions**  
For longer lengths or to respond to confined installation situations, on **request**, the rails can also be butt-jointed or can be produced divided into shorter lengths.

### Assembly

- For vertical use or for high speed applications, we recommend the use of shaft retention devices **part no.** [280052/0](#)
- To use shaft locking devices on both sides, the shaft and shaft carrier should be at least 30 mm shorter than the total length