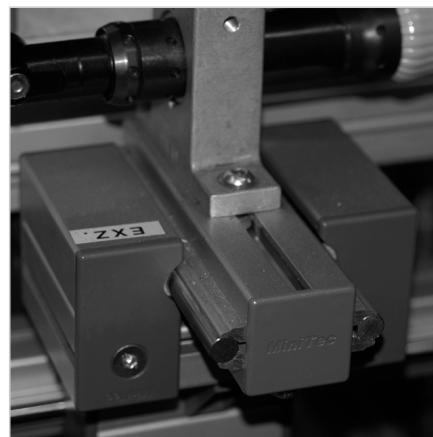
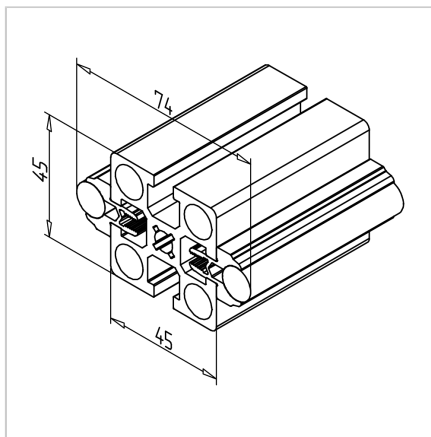


RAIL 45 STAINLESS L=

Code: 280006/3

Rail 45 stainless linear guides for linear and column guides, with special versions available on request.

[Link to the product →](#)



Technical data/items supplied

- Aluminium, anodized E6/EV1
- On both sides with shaft supporting profile and shafts $\varnothing 12$ h6, pre-finished installed
- Without end caps
- Weight = 4,796 kg/m
- Bar length = 6 m

Applications

- Linear and column guides
- **Special versions**
For longer lengths or to respond to confined installation situations, on **request**, the rails can also be butt-jointed or can be produced divided into shorter lengths.

Assembly

- For vertical use or for high speed applications, we recommend the use of shaft retention devices **part no.** [280052/0](#)
- To use shaft locking devices on both sides, the shaft and shaft carrier should be at least 30 mm shorter than the total length