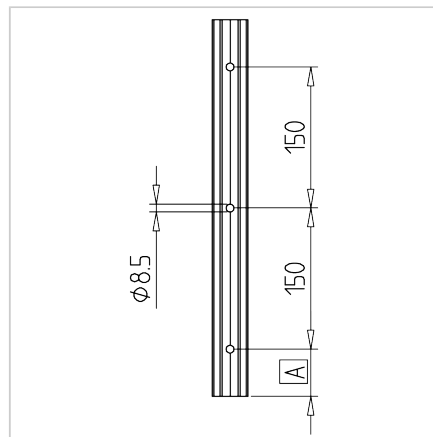
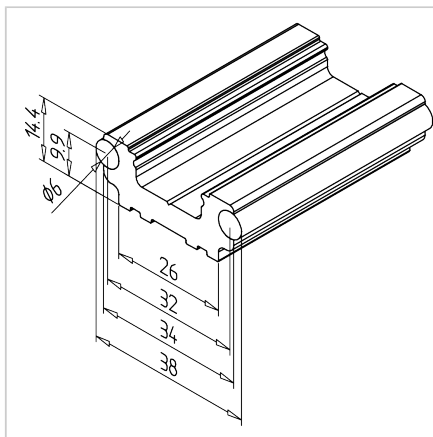


RAIL LR 6 S COMPACT STAINLESS DRILLED

Code: 280526/0

LR 6 S stainless linear guides for precise and durable linear motion in handling devices, large drawer guides, and doors.

[Link to the product →](#)



Technical data/items supplied

- Aluminium, anodized E6/EV1
- 2 shafts $\text{Ø} 6 \text{ h6}$ stainless steel
- Drilled ready for assembly $\text{Ø} 8 \text{ mm}$, Division 150 mm
- Weight = 0.959 kg/m
- Bar length = 6 m

Applications

- MiniTec linear guide systems LR 6
- Handling devices
- Guide large drawers
- Doors

Assembly

- Fasten the rail with the countersunk screw M8 x 20 and the square nut M8 to the MiniTec profile
- Optional cover profile, **part no.** [22.1160/0](#)
- The hole pattern is cut to size centrally. If a different edge distance is required, please specify dimension A. Additional hole spacing is also possible