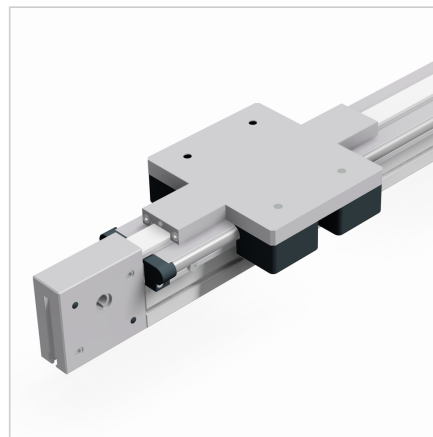
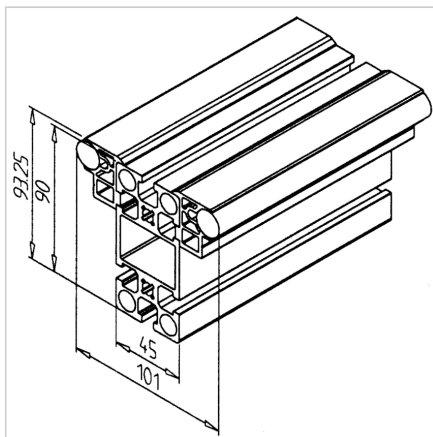


RAIL LR16 - 45X90H L =

Code: 280820/0

Rail LR16- 45 x 90 H for precise and reliable linear motion in linear guides for various applications.

[Link to the product →](#)



Technical data/items supplied

- Aluminium, anodized E6/EV1
- Profile 45 x 90
- On both sides with shaft carrier profile LR 16 and shafts $\varnothing 16$ h6, installed pre-assembled
- Without end caps
- Weight = 7,979 kg/m
- Bar length = 6 m

Applications

- Linear and column guides for high load
- Belt return in profile
- **Special versions**
For longer lengths or to respond to confined installation situations, on **request**, the rails can also be butt-jointed or can be produced divided into shorter lengths.

Assembly

- For vertical use or high speed applications we recommend the use of shaft retention device LR 16 **part no. 280808/0** and **part no. 280809/0**
- To use shaft locking devices on both sides, the shaft and shaft carrier should be at least 30 mm shorter than the total length