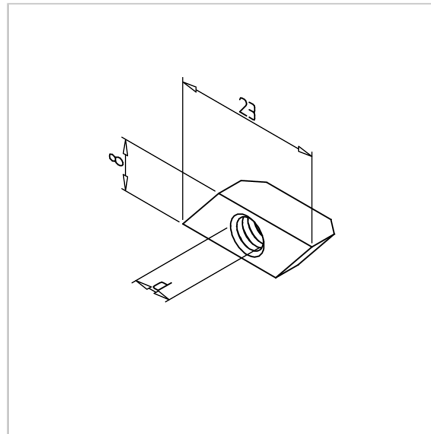
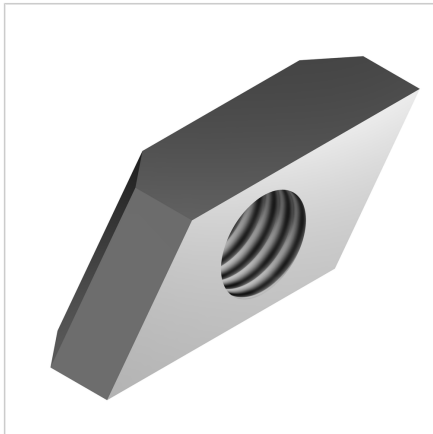


## RHOMBUS NUT F

Code: 211354/0

Rhombus nut F for quick and reliable fastening in aluminium profile slots. Self-locking design enables easy installation without machining.

[Link to the product →](#)



### Technical data/items supplied

- Steel, galvanized
- Thread (d) : M 6
- Weight = 0.005 kg/piece