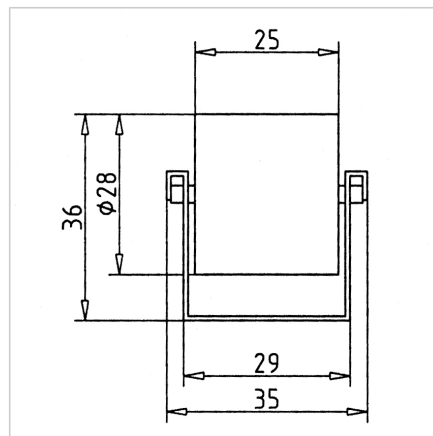
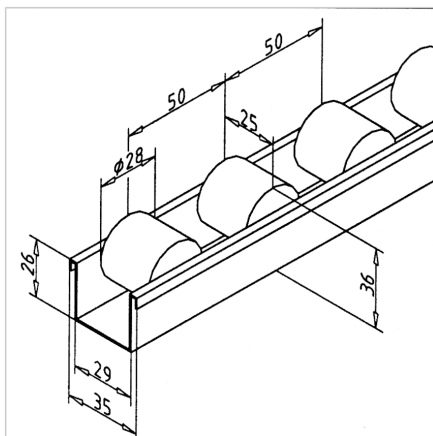


## ROLLER BAR ESD WITH CYL. ROLLER D=28, BLACK; T=50 MM

Code: 320555/0

ESD roller strip with cylindrical rollers ensures safe handling of sensitive components, reduces friction, and improves workflow efficiency.

[Link to the product →](#)



### Technical data/items supplied

- Length according to costumers specification
- Max. length 6 m
- Division 50 mm
- Supporting profile: Steel, zinc plated
- Weight = 0.595 kg/m

### Applications

- The rollers can be used over a temperature range from -30°C up to +100°C
- For longer roller strips or higher load, we recommend:
  - inserting lengthwise or crosswise construction profiles underneath for support
  - inserting the roller strip into the 45 FRS profile **Part no.** 201152/0 it is then also possible to cover the spaces between the rollers, a system height (SH) of 54 mm is then reached

### Assembly

- Fasten with fastening **part no.** 320574/0 and end stop **part no.** 320569/0 onto profile
- With screws directly on the carrier profile