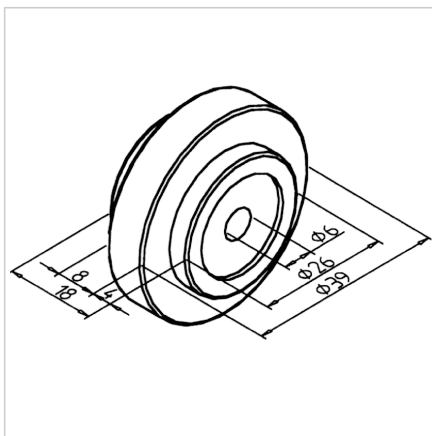
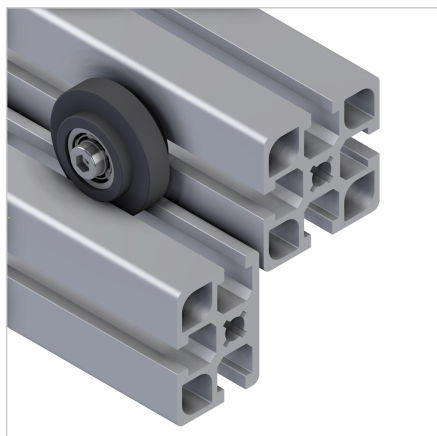


## ROLLER ELEMENT S

Code: 211781/0

Sliding door roller guide S provides smooth, low-noise guidance for doors, drawers, or lifting elements in aluminum profile structures.

[Link to the product →](#)



### Technical data/items supplied

- PA, Injection Mould, grey
- With 2 ball-bearings 626 ZZ
- Fmax. 200 N
- Weight = 0.040 kg/piece

### Applications

- Guide for sliding doors, lifting doors and drawers

### Assembly

- With cylinder head screw M6 x 35 **part no.:** [21.1245/0](#) and sliding nut M6 on profile grooves or directly on surface element