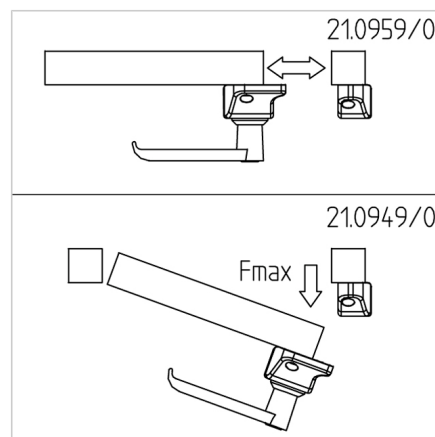
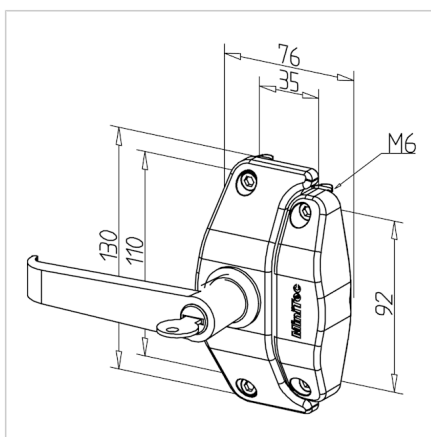


## ROTARY LOCK 30

Code: 210949/0

Reliable rotary lock for doors and panels made of aluminium profile series 30, ensuring secure and flexible locking solutions.

[Link to the product →](#)



### Technical data/items supplied

- Aluminium, Pressure die-casting, powder-coated, grey
- With fastening material steel, zinc plated
- Mounted handle: see **part no. 212305/0**
- Fmax. 1000 N
- Weight = 0.432 kg/piece

### Applications

- Rotary Lock 30 for swing doors: **part no. 210949/0**
- Sliding door lock 30 for sliding doors: **part no. 210959/0**
- For profiles series 30
- Locking of doors and panels
- No profile finishing required
- Position moveable

### Assembly

- Fasten to profile groove with supplied hardware
- Fastening on profile groove - without processing/boring of profiles