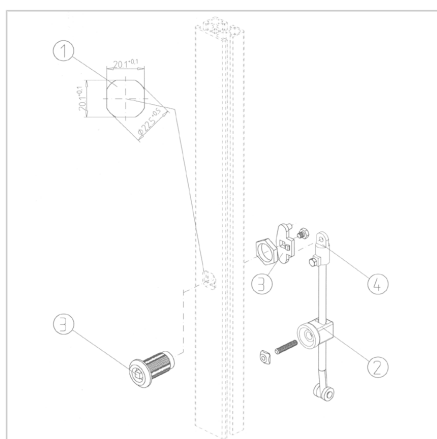


ROTATION DIRECTION ROD LOCK 45, 4-KT, 1 ROD

Code: 211788/0

Rod lock for securing doors at the top or bottom cross-rail. Ideal for control cabinets and double-leaf doors, providing reliable locking and easy operation.

[Link to the product →](#)



Technical data/items supplied

- Bolt lock made of steel, black with square key
- Bar retainer made of steel, galvanised
- Overrun rod with rollers (L = 1100 mm), steel, galvanised
- Rod guide, black plastic with injected nut M6
- Weight = 0.710 kg/piece

Applications

- For locking doors at the top or bottom cross-rail
Particularly suitable for control cabinets and double-leaf doors

Assembly

- Insert square recess into vertical door profile
Screw setscrew M6 x 30 into rod guide, screw nut loosely onto setscrew, insert square nut into groove and tighten rod guide in position. Screw cam latch onto cam lock or handle. Insert the overrun rod into the rod guide and fix it on the cam latch