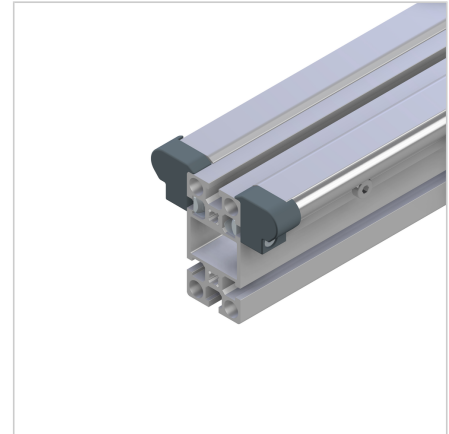
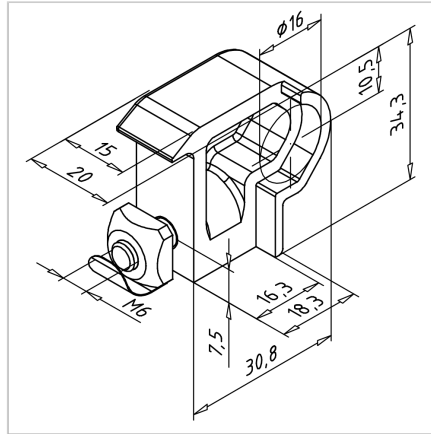
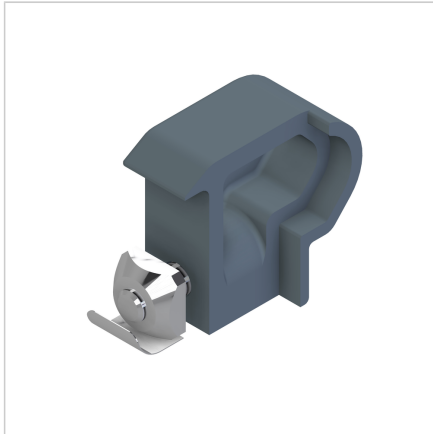


SHAFT FIXATION LEFT LR16

Code: 280809/0

Left shaft retention device LR 16 for secure fastening and reliable performance of linear guides under dynamic loads.

[Link to the product →](#)



Technical data/items supplied

- Aluminium, Pressure die-casting, powder-coated, grey
- With fastening material steel, zinc plated
- Weight = 0.037 kg/piece

Applications

- Axial fastening of shafts in dynamically stressed linear guides

Assembly

- Fasten the retention device at both shaft ends with fastening kit
- No machining required
- The shaft carrier profile and shafts must be 15 mm shorter than the carrier profile