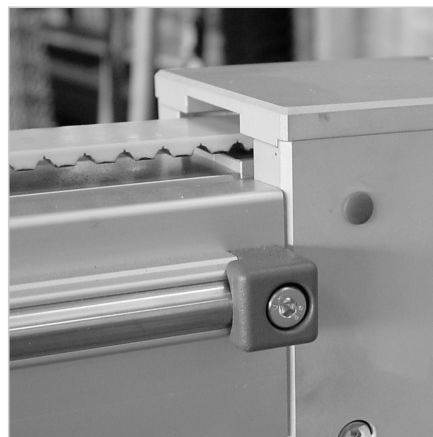
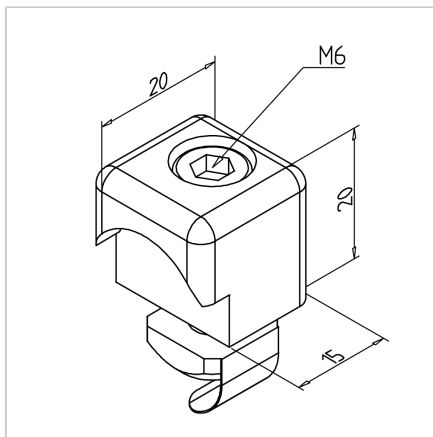
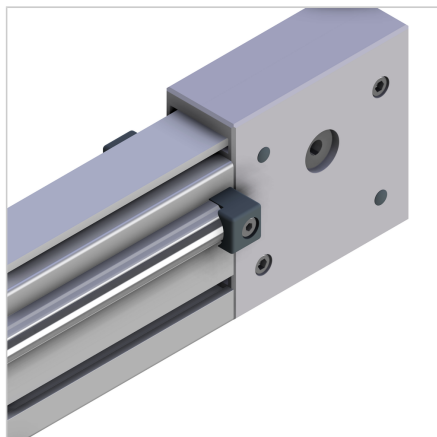


## SHAFT FIXATION

Code: 280052/0

Shaft retention device for safe and reliable motion in linear guides under dynamic loads.

[Link to the product →](#)



### Technical data/items supplied

- Aluminium, Pressure die-casting, powder-coated, grey
- With fastening material steel, zinc plated
- Stainless version **part no. 280053/0**
- Weight = 0.026 kg/piece

### Applications

- Axial fastening of shafts in dynamically stressed linear guides

### Assembly

- Fasten the retention device at both shaft ends with fastening kit
- No machining required
- The shaft carrier profile and shafts must be 15 mm shorter than the carrier profile