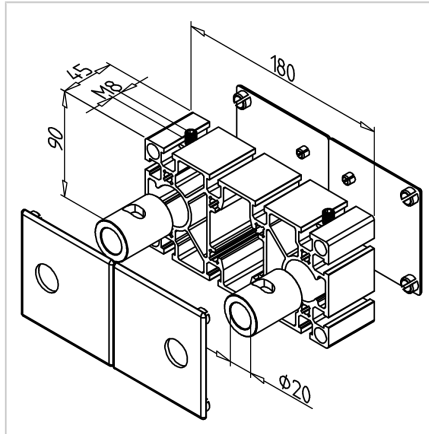
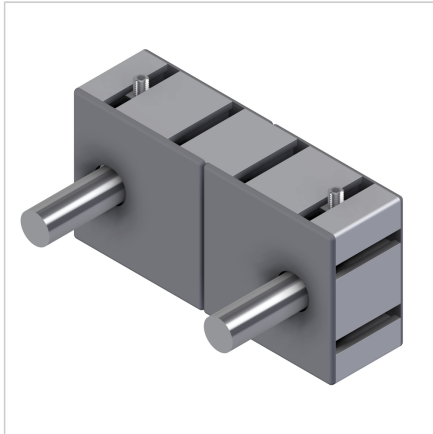


SHAFT SUPPORT WB 180 L = 45 MM GREY

Code: 280144/0

Shaft support block WB 180 provides stable support and precise guidance for shafts in linear and mechanical systems.

[Link to the product →](#)



Technical data/items supplied

- Aluminium, anodized E6/EV1
- Profile 90 X 180 S
- Fully assembled with 2 centring bushings
- Shaft side with end cap LB 180, grey
- External side with 2 end caps 90 x 90, grey
- Weight = 0.755 kg/piece

Applications

- Bearing and fastening of shaft \varnothing 20 mm in MiniTec-Linear systems LB 180

Assembly

- Insert shaft
- Tighten with set screw M8 x 35