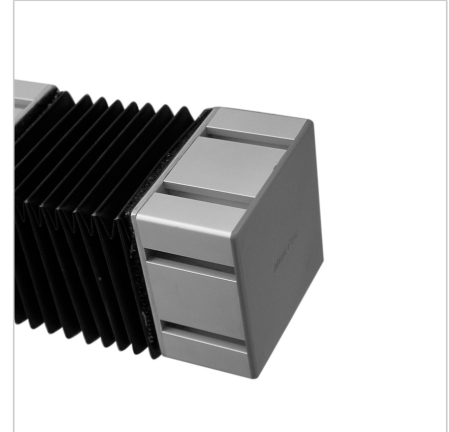
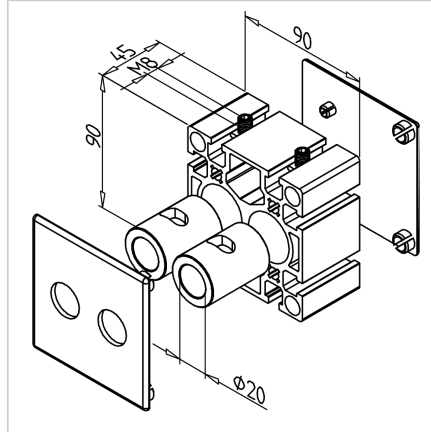
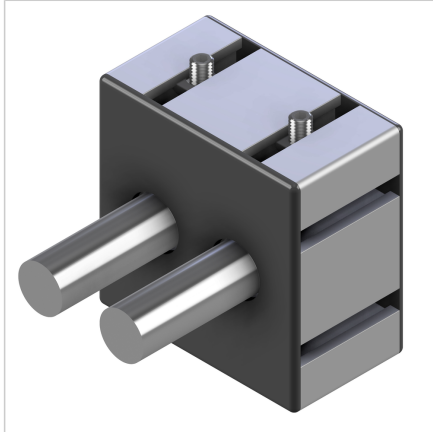


SHAFT SUPPORT WB 90 L = 45 MM GREY

Code: 280153/0

Shaft support block WB 90 provides stable support and precise guidance for shafts in linear and mechanical systems.

[Link to the product →](#)



Technical data/items supplied

- Aluminium, anodized E6/EV1
- Profile 90 X 90 S
- Fully assembled with 2 centring bushings
- Shaft side with end cap LB 90, grey
- Outer side with end cap 90 x 90, grey
- Weight = 0.521 kg/piece

Applications

- Bearing and fastening of shaft Ø 20 mm in MiniTec-Linear systems LB 90

Assembly

- Insert shaft
- Tighten with set screw M8 x 35