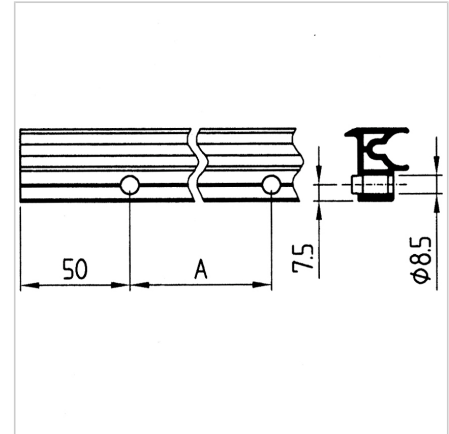
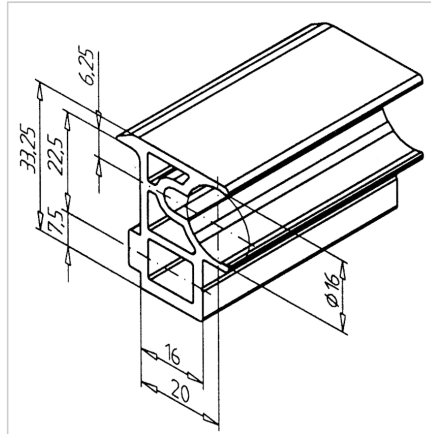
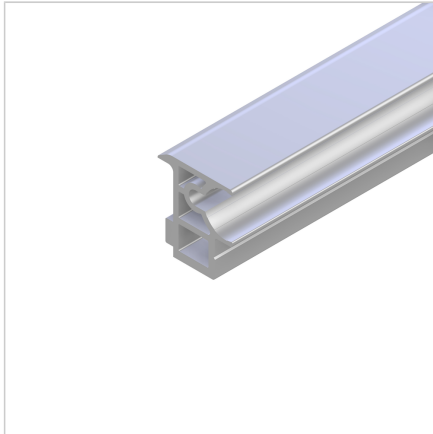


## SHAFT SUPPORTING PROFILE LR16 WITH BORE

Code: 280019/1

Aluminum profile with bore for LR 16 shaft support for stable guidance and support in linear guides.

[Link to the product →](#)



### Technical data/items supplied

- Aluminium, extruded, anodized E6/EV1
- Weight = 0.845 kg/m
- Bar length = 6 m

### Applications

- MiniTec linear guide LR16

### Assembly

- Fasten to the support profile using cylinder screw M8 x 30 and sliding nut M8
- Hammer the shaft into the rod holder profile with a plastic hammer