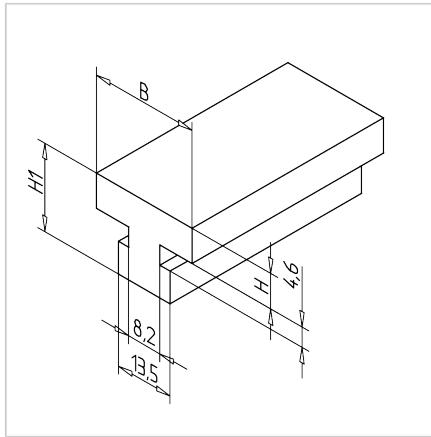


SLIDE BAR 8 - 25

Code: 221088/0

Slide rail 8 - 25 ensures smooth sliding action, stable support for workpieces, and dependable guidance for lifting doors and pull-outs.

[Link to the product →](#)



Technical data/items supplied

- PE-UHMW, machined, black
- W = 25 mm
H = 7,5 mm
H1 = 20 mm
- Weight = 0.314 kg/m
- Bar length = 2 m

Applications

- Sliding support
- Workpiece bearing
- Guide for lifting doors
- Slides

Assembly

- Slide into profile groove
- To reduce friction in moving parts, we recommend using the slide rail in short pieces with a maximum length of 100 mm