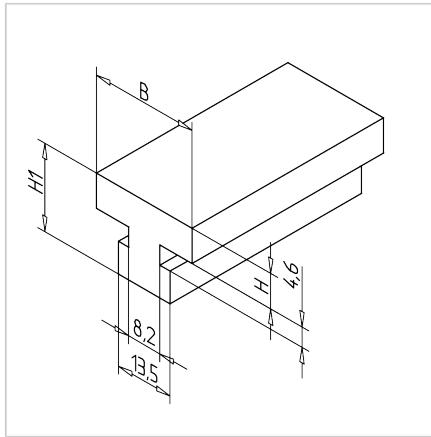


SLIDE BAR 8 - 40

Code: 221088/1

Slide rail 8 - 40 A offers reliable sliding movement, strong support for components, and precise guidance for lifting doors and pull-outs.

[Link to the product →](#)



Technical data/items supplied

- PE-UHMW, machined, black
- W = 40 mm
H = 8 mm
H1 = 18 mm
- Weight = 0.400 kg/m
- Bar length = 2 m

Applications

- Sliding support
- Workpiece bearing
- Guide for lifting doors
- Slides

Assembly

- Slide into profile groove
- To reduce friction in moving parts, we recommend using the slide rail in short pieces with a maximum length of 100 mm