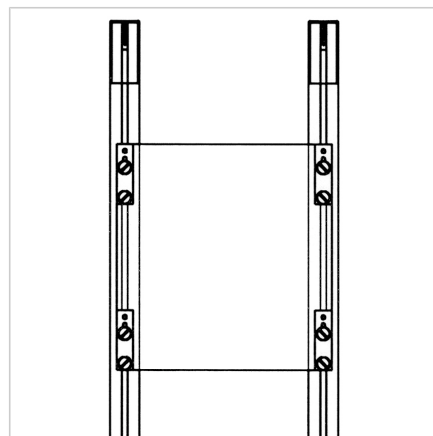
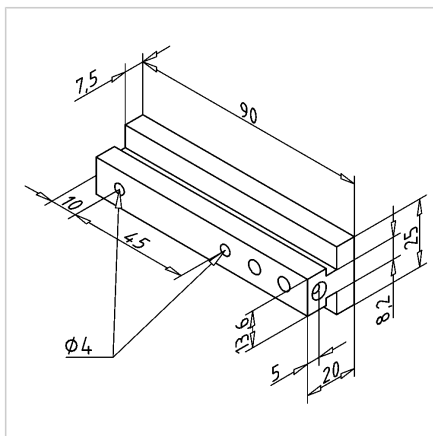
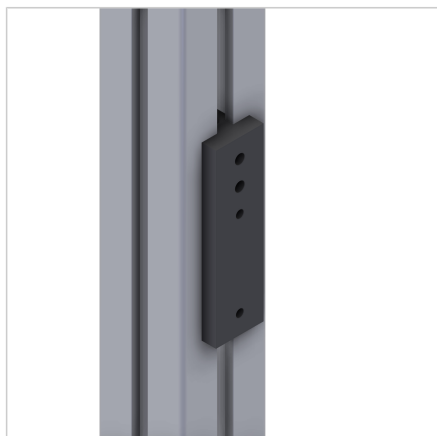


SLIDE ELEMENT VERTICAL

Code: 211795/0

Slide element for lightweight lifting doors, combines guiding and balancing weight connection, ideal for frameless surface mounting.

[Link to the product →](#)



Technical data/items supplied

- PE-UHMW, black
- With fastening material steel, zinc plated
- Ready to install with cable ducting and clamping
- 2x $\phi 4$ mm predrilled for fixing the surface element
- Weight = 0.029 kg/piece

Applications

- Guide for lightweight lifting doors and simultaneous connection of door element and balancing weight
- Especially suitable for direct attachment on surface elements without frame

Assembly

- Connect rope of counterweight with slide tensioning element
- Secure cable end with clamp
- Screw into the groove of the vertical profile
- Screw panel element
- Use screws suitable for installing the surface element and if necessary, rework the 4 mm holes to the required size