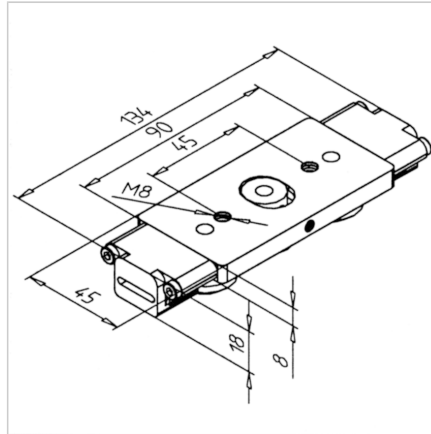


## SLIDE LR 6 Z COMPACT STAINLESS

Code: 280524/0

LR 6 Z compact linear slide in stainless steel for precise, reliable, and quiet motion on linear guides.

[Link to the product →](#)



### Technical data/items supplied

- Aluminium + steel
- Aluminum carriage plate, machined on all sides
- 3 double row casters LR 6
- Installed with concentric mounting bolts
- Weight = 0.271 kg/piece

### Applications

- MiniTec linear guide systems LR 6
- Material-handling in areas with shortage of space
- Fitting rail LR6 compact **part no.** [280119/0](#) and Timing belt pulley LR6

### Assembly

- Slip slide onto rail
- Set the caster wheel with Allen wrench SW2 SW2.5 without play
- Set up the load to be carried on existing threads M8