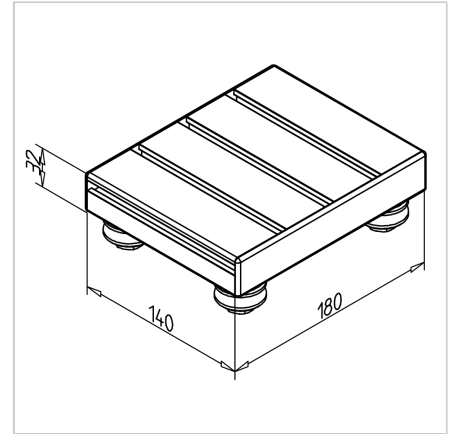
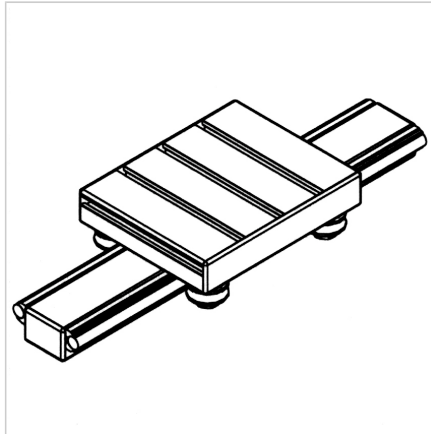


SLIDE LW 32-E

Code: 280089/0

LW 32-E linear slide for precise, reliable, and quiet motion on linear guides.

[Link to the product →](#)



Technical data/items supplied

- Aluminium, anodized E6/EV1
- Fully mounted carriage
- 2 concentric and 2 eccentric bearing units
- End caps
- Stainless version **part no. 280089/1**
- Weight = 1.920 kg/piece

Applications

- 1- or multi-axis guides
- Handling devices
- Measuring devices
- For rails 19 and 32

Assembly

- Slip slide on rail 19 or 32; adjust clearance with eccentric bush