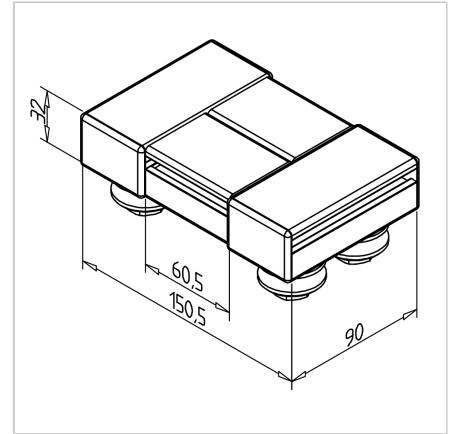
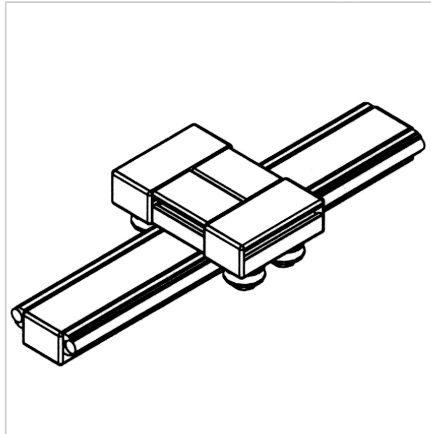
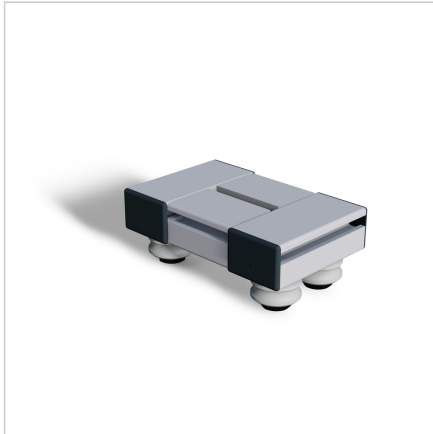


## SLIDE LW 32 STAINLESS

Code: 280088/1

LW 32 linear slide in stainless steel for precise, reliable, and quiet motion on linear guides.

[Link to the product →](#)



### Technical data/items supplied

- Aluminium + steel
- Fully mounted carriage
- 2 concentric and 2 eccentric bearing units
- End caps
- Weight = 1.060 kg/piece

### Applications

- Handling devices
- Measuring devices
- Slide units
- For rails 19 and 32

### Assembly

- Slip slide on rail 19 or 32; adjust clearance with eccentric bush