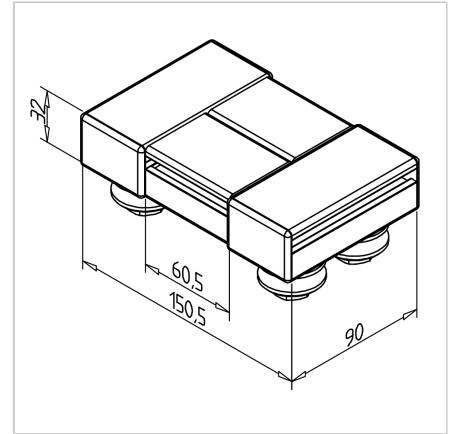
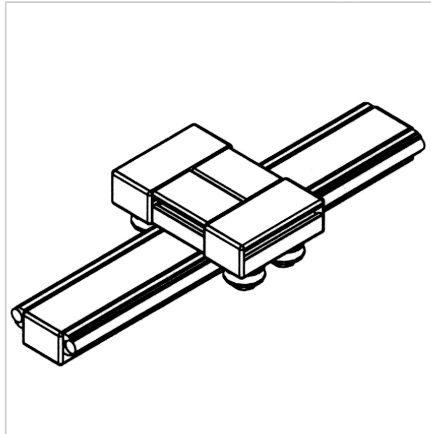
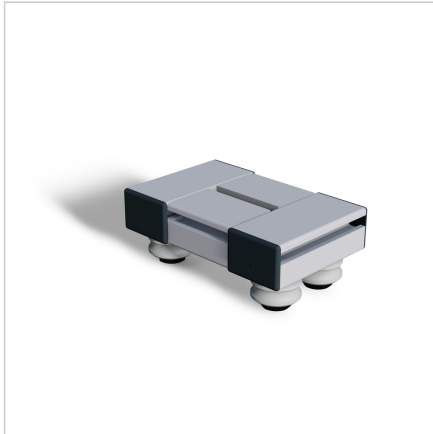


SLIDE LW 32

Code: 280088/0

LW 32 linear slide, designed for high precision and quiet operation of linear guides in industrial applications.

[Link to the product →](#)



Technical data/items supplied

- Aluminium, anodized E6/EV1
- Fully mounted carriage
- 2 concentric and 2 eccentric bearing units
- End caps
- Stainless version **part no. 280088/1**
- Weight = 1.060 kg/piece

Applications

- Handling devices
- Measuring devices
- Slide units
- For rails 19 and 32

Assembly

- Slip slide on rail 19 or 32; adjust clearance with eccentric bush