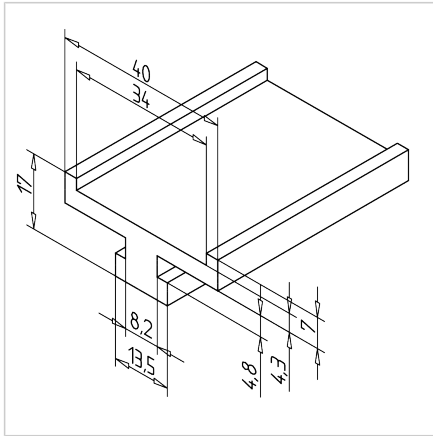


## SLIDING BAR 32 BELT CONVEYOR 32

Code: 290620/0

[Link to the product →](#)



### Technical data/items supplied

- PE-UHMW
- Weight = 0.278 kg/m