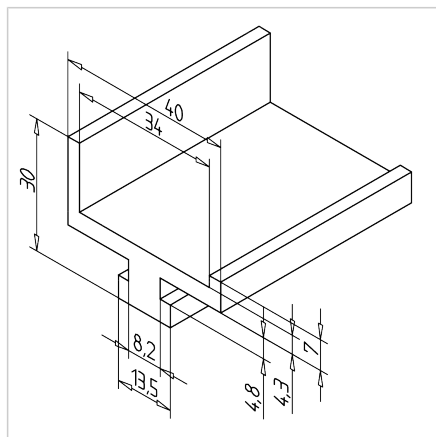


SLIDING BAR 32 SF BELT CONVEYOR

Code: 290621/0

[Link to the product →](#)



Technical data/items supplied

- PE-UHMW
- Weight = 0.320 kg/m