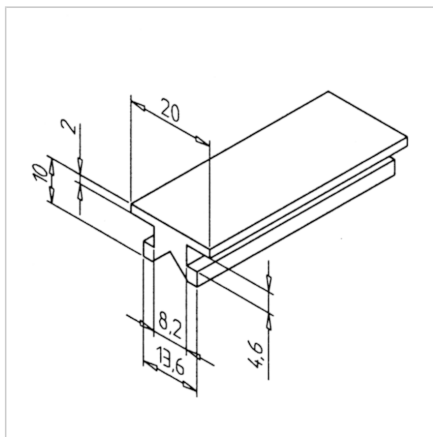
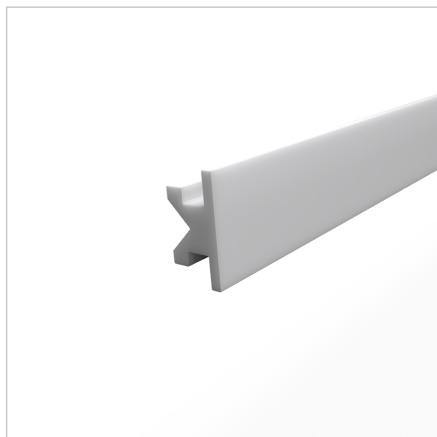


SLIDING BAR LATERAL GUIDE FLAT L=2m

Code: 221135/0

Lateral slide rail for flat guidance of sliding elements, providing stable and smooth movement within profile constructions.

[Link to the product →](#)



Technical data/items supplied

- PE, white
- Particularly wear-resistant, impact-resistant and insensitive to scratches
- Weight = 0.098 kg/m
- Bar length = 2 m

Applications

- Lateral guide for flat components
- Slide for containers
- Jam tracks

Assembly

- Slide into profile groove
- Suitable for all profiles
- Secure slide strip at both ends with set screw or adjustable end caps