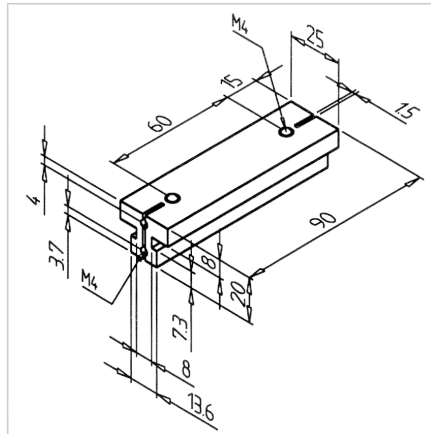


## SLIDING STRIP LN-S

Code: 221096/0

Linear slide rail LN-S for aluminum profiles ensures precise and smooth movement of sliding doors, drawers, and adjusting units in linear systems.

[Link to the product →](#)



### Technical data/items supplied

- PE-UHMW, black
- Fastening kit
- Allowed panel pressure: max. 10 N/mm<sup>2</sup>
- Weight = 0.036 kg/piece

### Applications

- Slide guides LN-S
- Adjusting units
- Slide units
- Workpiece carrier

### Other versions

- Insert into grooves of the guide profile
- Adjust sliding rails without clearance by screwing in the side setscrews (M4)
- Connect with slide plate