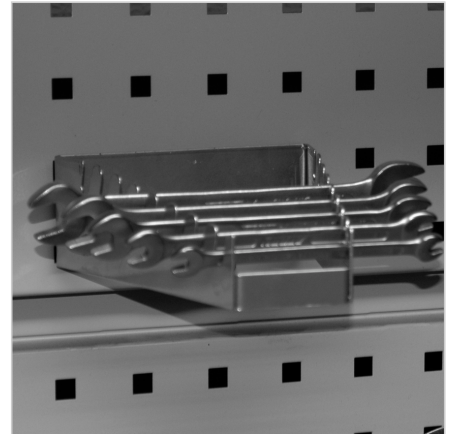
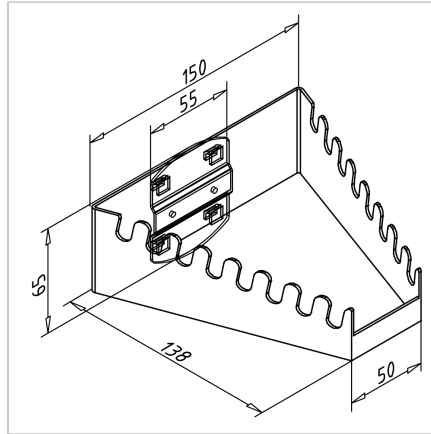
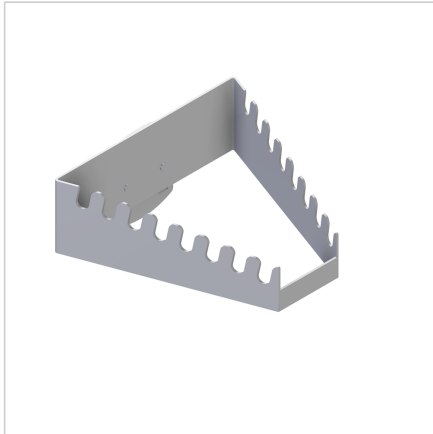


## SOCKET WRENCH HOLDER HORIZONTAL

Code: 320523/0

Wall wrench holder provides organized storage and quick access to wrenches at the workstation.

[Link to the product →](#)



### Technical data/items supplied

- Steel, Pressure die-casting, powder-coated, grey
- Weight = 0.203 kg/piece

### Applications

- 8 retaining slots 6.5 x 15 mm