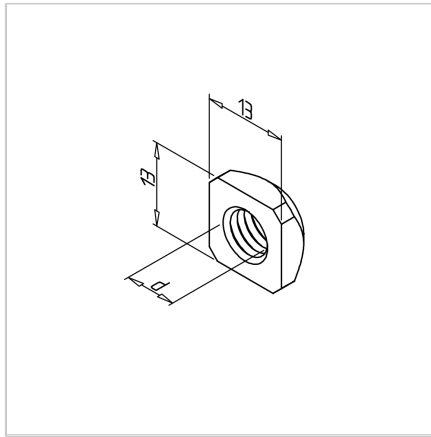
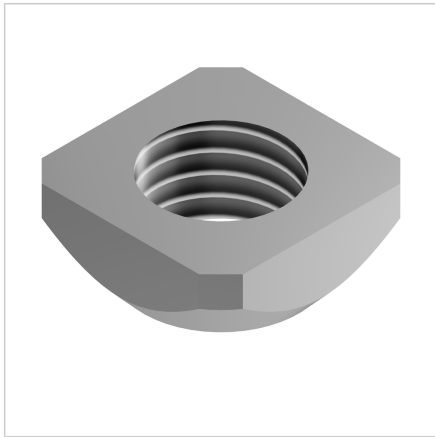


SQUARE-NUT M6 POCINKANA

Code: 211330/0

Square nut M6 x 13 with position-fixing, designed for precise and secure fastening in aluminium profile systems. Prevents rotation for stable assemblies.

[Link to the product →](#)



Technical data/items supplied

- Steel, galvanized
- Thread (d) : M 6
- Weight = 0.005 kg/piece