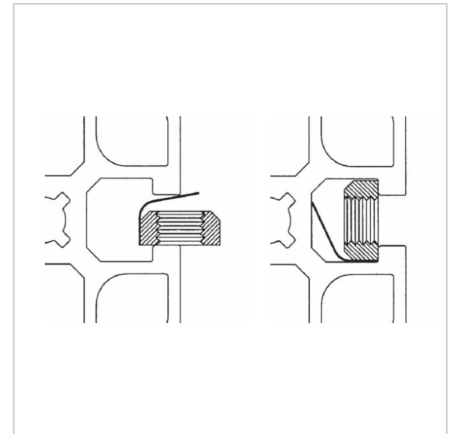
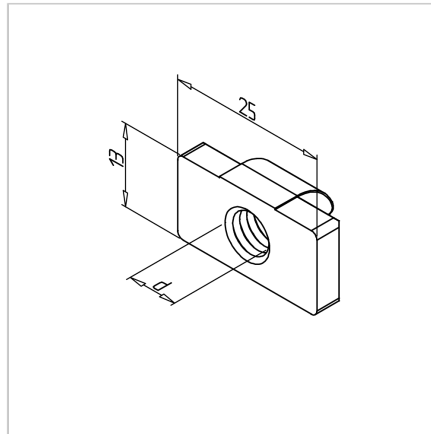
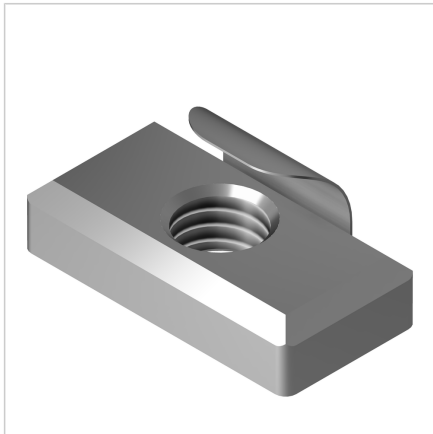


SQUARE NUT M8 L WITH POSITION-FIXING LENGTH 25 MM

Code: 211368/2

Square nut M08 L with position-fixing, 25 mm long, designed for precise and secure fastening in aluminium profile systems. Prevents rotation for stable assemblies.

[Link to the product →](#)



Technical data/items supplied

- Steel, galvanized
- Thread (d) : M 8
- Weight = 0.012 kg/piece

Applications

- Sliding nuts can be swiveled into the profile (series 45) at any point
- The spring plate holds the nut in the desired position

Assembly

- Mounting by swiveling into the groove