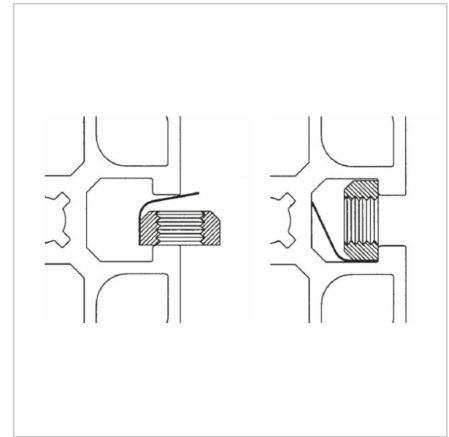
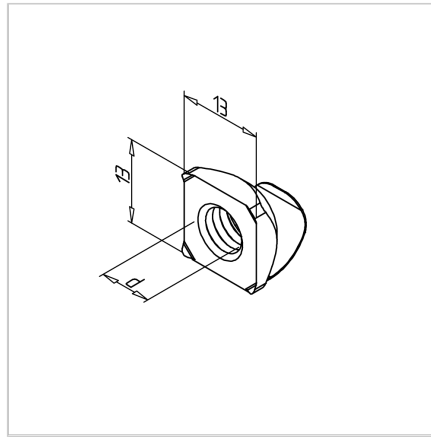
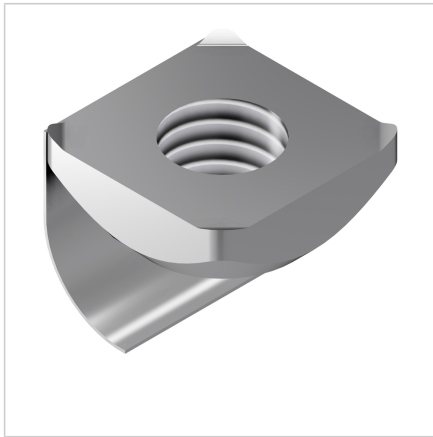


## SQUARE NUT M8 Z WITH POSITION-FIXING ESD

Code: 211390/2

Square nut M08 Z with position-fixing. Designed for precise and reliable fastening in ESD-sensitive aluminium profile constructions.

[Link to the product →](#)



### Technical data/items supplied

- Steel, galvanized
- Thread (d) : M 8
- Weight = 0.005 kg/piece

### Applications

- Sliding nuts can be swiveled into the profile (series 45) at any point
- The spring plate holds the nut in the desired position

### Assembly

- Mounting by swiveling into the groove