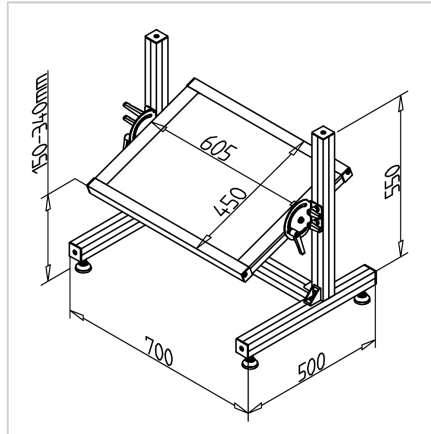


STANDARD FOOTREST ESD

Code: 320160/6

ESD footrest enhances workstation ergonomics, eases sitting, and protects sensitive equipment from static.

[Link to the product →](#)



Technical data/items supplied

- Base construction profile 45x45 under tables, workstations
- Fully assembled
- Footrest: chipboard, coated, basalt grey, oil resistant
- Height and inclination manually adjustable
- Free-standing
- Weight = 8.774 kg/piece

Applications

- Facilitates proper sitting at the table
- Appropriate for ESD implementations