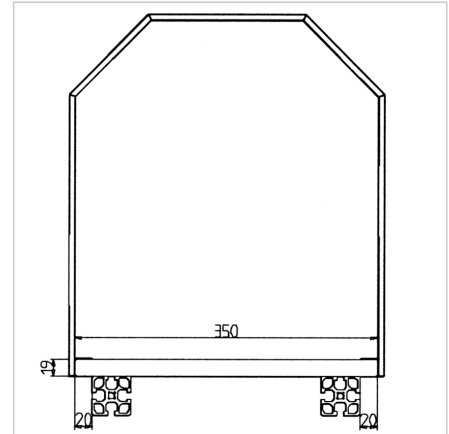
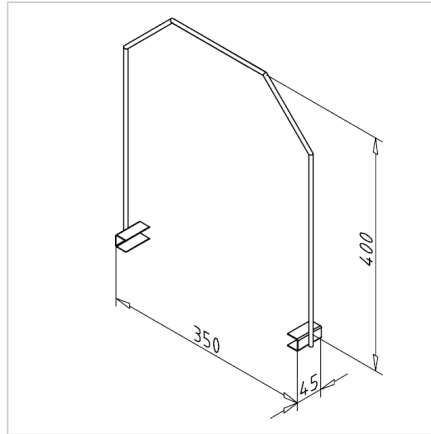
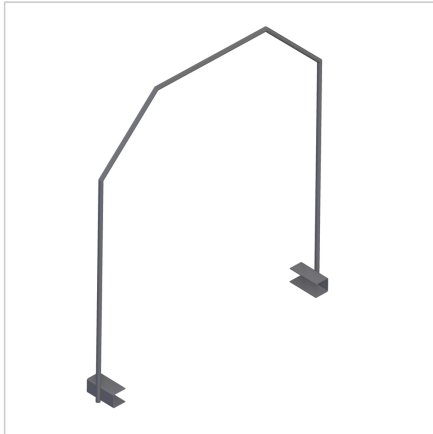


## STEEL BRACKET 6MM H = 400 MM FOR FLOOR W = 350 MM

Code: 320534/0

Shelf divider allows organized separation of items, prevents mixing, and improves visibility in the workspace.

[Link to the product →](#)



### Technical data/items supplied

- Steel, powder-coated, grey
- With welded-on clamps for setting on a 19 mm chipboard, for example
- Clamped using pretensioning and can be secured additionally with wood screws
- Weight = 0.278 kg/piece

### Applications

- As separating web for cartons
- Magazine for flat parts

### Assembly

- Pull apart gently, stick on at the correct position and secure with suitable screw