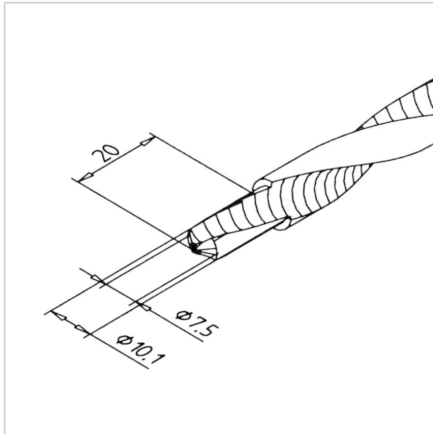


STEP DRILL 10.1 FOR MITRE-CONNECTOR (GVB-45) + (GVB-N45)

Code: 261816/0

[Link to the product →](#)



Technical data/items supplied

- HSS-tool steel
- Steps $\varnothing 7.5$ mm / $\varnothing 10.1$ mm
- Shaft, cylindrical $\varnothing 10.1$ mm
- Weight = 0.052 kg/piece

Applications

- Boring the central bore in profiles of the series 45, for miter connections