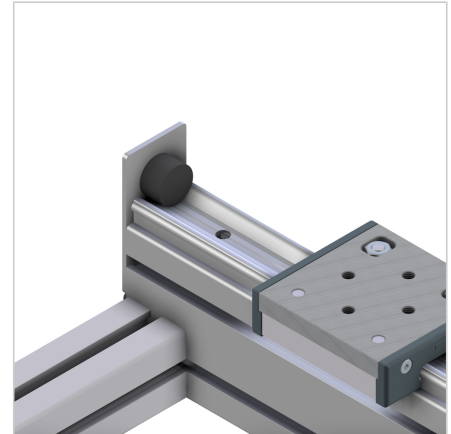
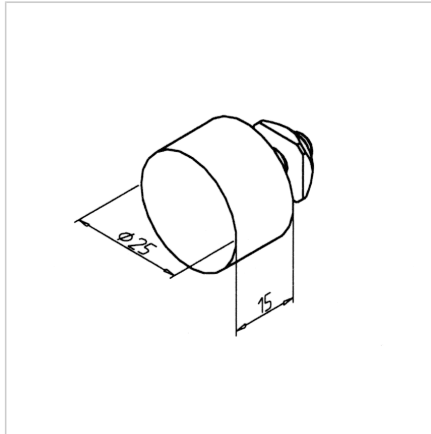
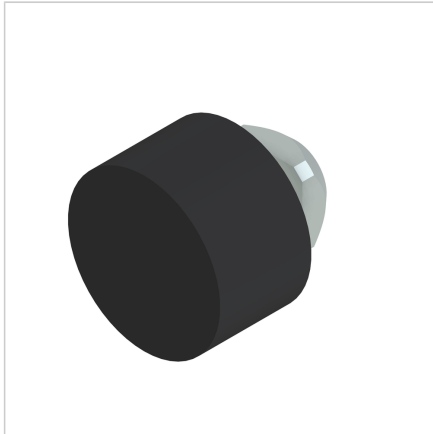


STOPPER 25

Code: 211759/0

Stopper for doors and linear guides ensures reliable movement control and protection in various industrial applications.

[Link to the product →](#)



Technical data/items supplied

- NBR, black
- With fastening material steel, zinc plated
- With sliding nut M6
- Weight = 0.020 kg/piece

Applications

- Stop for doors, linear guides

Assembly

- Fix with square nut M6 in profile groove