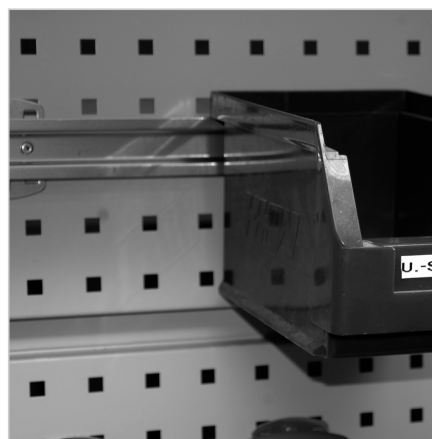
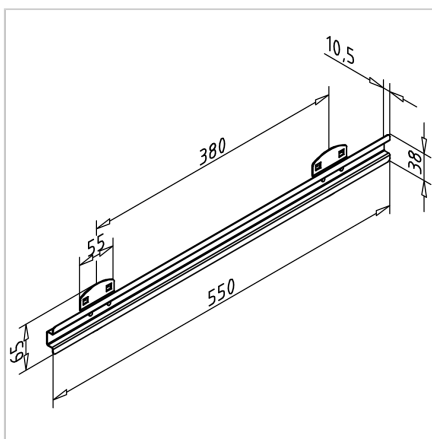


## STORAGE BOX HOLDER, MULTIPLE COMPARTMENT, FOR BOX DIMENSIONS 6,7,8

Code: 320532/0

Holder for screw boxes ensure neat storage, quick access, and better organization of small parts at the workstation.

[Link to the product →](#)



### Technical data/items supplied

- Aluminum colored
- Plastic coated
- Individually packaged incl. screws
- Weight = 0.568 kg/piece

### Applications

- Holder for open front containers Size 8

### Assembly

- Hook in the carrier plate and secure with the enclosed screw