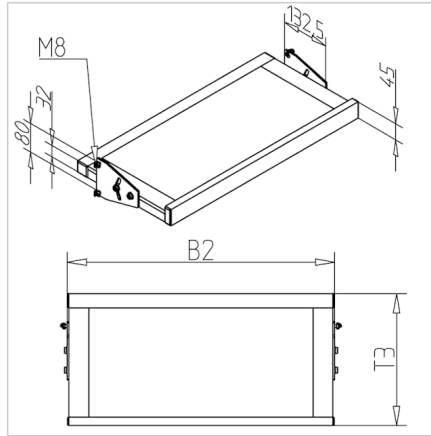
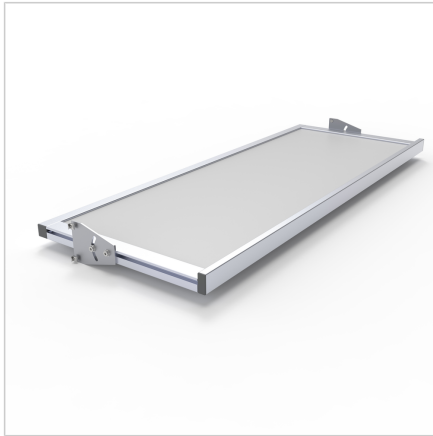


## STORAGE CONSOLE WITHOUT CLAMPING LEVER ESD

Code: 320501/7

[Link to the product →](#)



### Technical data/items supplied

- Sturdy frame made of aluminum profiles anodized E6 / EV1
- Shelf for wardrobe, particleboard, light gray
- Front edge 13 mm raised edges
- **Please state table width B2 and depth T3**
- Dimension B2 = installation width between posts
- Load capacity: 400 N

### Applications

- Continuously inclinable from  $-30^\circ$  to  $+30^\circ$
- Rack is adjustable

### Assembly

- Fastening with 2 swivel plates to the portal structure